

UCL-853 SERIES SOFFIT LIGHT



The UCL-853 Series is designed specifically for new or retrofit soffit applications. The glass refractor and vertical burn lamp are engineered to provide uniform, high-angle brightness to attract and welcome customers with efficient, energy saving and safe lighting. The UCL-853 Series has features that make it easy to install and maintain. Modular accessories allow the fixture to install virtually anywhere, making lighting upgrades cost-effective and simple to achieve.

The brilliance of retail petroleum canopy lighting now available for your building.



Fixture Specifications

FEATURES

OPTICAL ASSEMBLY

A die cast aluminum body and door frame provide rigid construction and corrosion resistance. Both are powder-coated for maximum life and architectural appearance. The frame supports the borosilicate glass refractor that spreads uniform high angle illumination beneath the fixture. A one-piece extruded silicone gasket seals the glass to the fixture frame assuring "bug tight" operation. An extruded aluminum spring loaded latch allows for easy, tool-free re-lamping and provides positive door closure. The

reflector system provides maximum lamp lumens to the refractor and the semi-cutoff lens has a standard adjustment allowing field reduction of high angle rays which may be objectionable to nearby residences.

ADDITIONAL FEATURES

- UL listed, suitable for damp locations
- Quick and easy to install
- Tool-free lamp replacement
- Remote ballast assembly
- Lamp included

ORDERING INFORMATION

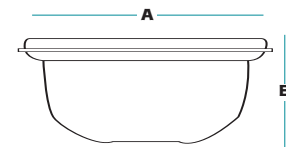
Series	Wattage/Source	Lens	Finish	Voltage
UCL-853	XXXMH	X	WH	120/277
	100 Watt Metal Halide	S - Semi-Cutoff		
	175 Watt Metal Halide	C - Cutoff		
	250 Watt Metal Halide			

Accessory

RTR¹ Retrofit Trim Ring - only required when existing rough opening is greater than 12".

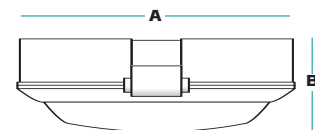
¹ Note: Only required when retrofit application uses (S) Semi-Cutoff optic.

DIMENSIONS



Option (S)

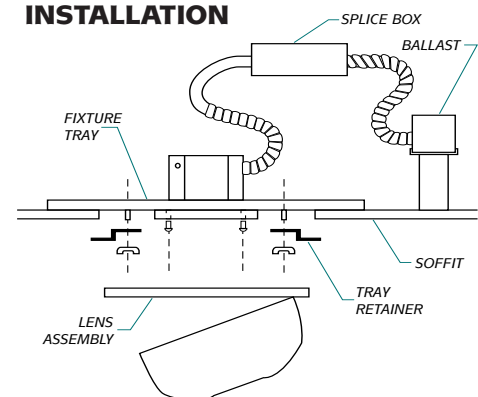
A	B
14.25"	6.12"



Option (C)

A	B
17.5"	6"

INSTALLATION



NOTE: Rough-in opening = 11.0"



A HUBBELL LIGHTING, INC. COMPANY

Performance Designed Lighting Products

www.securitylighting.com

1085 Johnson Drive • Buffalo Grove, IL 60089 • TOLL-FREE: 800-544-4848 • PHONE: 847-279-0627 • FAX: 847-279-0642