

# TRAPEZOIDAL WALL SCONCE



TWSMC Shown



The TWS Series trapezoidal wall sconce offers unique styling and maximum versatility with two sizes, multiple light sources, and a variety of finishes. The downlight-only design features a maximum cutoff distribution with exceptional horizontal illumination.

## Fixture Specifications

### FEATURES

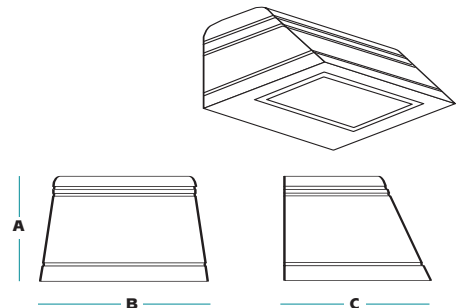
- Durable cast aluminum housing\*
- Integrated design eliminates high angle brightness
- Luminaire finished in weatherproof powder-coat paint
- Completely sealed, flat tempered glass lens suitable for use in wet location
- Ships complete with lamp

### ORDERING INFORMATION

#### SAMPLE CATALOG NUMBER

**TWSX**      **XXXXXX**      **WD**      **XX**      **XXX**  
 Series      Wattage/Source      Distribution      Finish      Voltage

### DIMENSIONS



	A	B	C
<b>TWSMC</b>	7.0"	16.5"	9.25"
<b>TWSL</b>	9.45"	24.0"	13.75"

#### SERIES

**TWSMC** Trapezoidal Wall Sconce Medium (Cast)  
**TWSL** Trapezoidal Wall Sconce Large

#### WATTAGE/SOURCE'

TWSMC	
<b>70PMH</b>	70 watt pulse start metal halide
<b>100PMH</b>	100 watt pulse start metal halide
<b>150PMH</b>	150 watt pulse start metal halide
<b>70HPS</b>	70 watt high pressure sodium
<b>100HPS</b>	100 watt high pressure sodium
<b>150HPS</b>	150 watt high pressure sodium
<b>26QF</b>	26 watt quad tube fluorescent
<b>32TRF</b>	32 watt triple tube fluorescent
<b>42TRF</b>	42 watt triple tube fluorescent
<b>30LED</b>	30 watt LED

#### WATTAGE/SOURCE'

TWSL	
<b>250MH</b>	250 watt metal halide
<b>400MH</b>	400 watt metal halide
<b>250HPS</b>	250 watt high pressure sodium
<b>400HPS</b>	400 watt high pressure sodium
<b>242TRF</b>	(2) 42 watt triple tube fluorescent

#### DISTRIBUTION

**WD** Wide distribution (standard)  
**FT** Forward throw (TWSMC only)

#### FINISH'

**DB** Dark Bronze  
**BK** Black  
**WH** White  
**PS** Platinum Silver

#### VOLTAGE

**120** 120 volt  
**277** 277 volt  
**MT** Multi-Tap

#### OPTIONS

**OSL** Quartz re-strike with lamp  
**PC** Button-type photocell (must specify voltage)  
**F** Single fusing  
**FF** Double fusing  
**EM12<sup>1</sup>** 1 MR11/MR16 two pin socket for 12v power (by others) 35w max. 35w MR11 lamp included.  
**2EM12<sup>2</sup>** 2 MR11/MR16 two pin sockets for 12v power (by others) 35w max. 35w MR11 lamp included.

#### ACCESSORIES

**EM** Remote emergency ballast (fluorescent only)

<sup>1</sup> Consult factory for other lamp wattages and sources.  
<sup>2</sup> Other finishes available. Consult factory.  
 \* TWSL housing formed aluminum only. Cast version to be substituted when available.  
<sup>3</sup> Not available with LED source.



A HUBBELL LIGHTING, INC. COMPANY

Performance Designed Lighting Products

[www.securitylighting.com](http://www.securitylighting.com)

1085 Johnson Drive • Buffalo Grove, IL 60089 • TOLL-FREE: 800-544-4848 • PHONE: 847-279-0627 • FAX: 847-279-0642