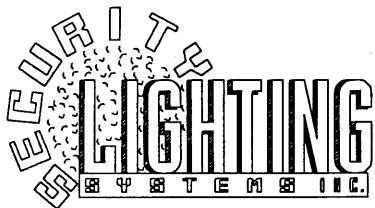
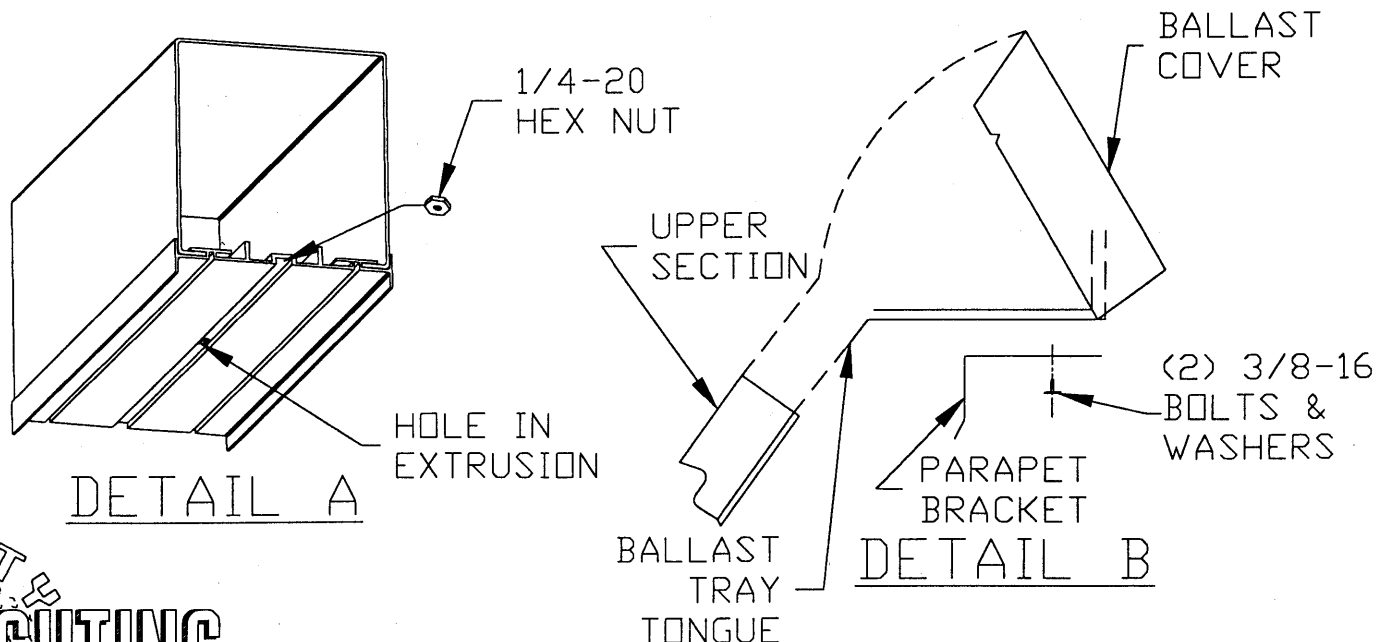


TRANSLUCENT ROOFBEAM INSTALLATION

INSTRUCTIONS

1. Carefully remove all fixture components from carton.
2. Carefully unfold Roof Beam and set it down on its side. (On cardboard or anything that will protect it from scratches)
3. Swing Ballast Cover to an open position and attach Ballast Tray to Upper Section by sliding (1) 1/4-20 hex nut provided) into end of Upper section tray to center of hole in extrusion (see Detail A). Slide Ballast Tray Tongue into extrusion as far as it will go and attach using (1) 1/4-20 Bolt and (1) 1/4" Flatwasher (see Detail B).
4. Using (2) 3/8-16 Hex Bolts and (2) 3/8 Flatwashers (provided) attach Parapet Bracket to Ballast Tray. (Do not tighten fully at this point) (See Detail B).
5. Carefully lift Roof Beam Assembly onto Mansard.
NOTE: Before attaching fascia bracket or parapet bracket to building make sure roof beam is correctly aligned with roof valley and all excess wiring leading from the Lower Tray into the Upper Tray is pulled taut. Special attention must be given to the hinged area of the roof beam. Both sections must close upon each other completely before attaching to the building! You can make this adjustment by lifting at both the fascia and parapet ends of roof beam until both sections close upon each other completely. At this point, you may secure fascia and parapet brackets to building using fasteners provided by contractor. (See Detail C).
6. Tighten both 3/8-16 hex bolts at Parapet bracket making sure Ballast cover properly covers Upper Section Lens.
7. Attach Ballast to Ballast Tray using (2) #10 hex nuts (provided) and make all Molex connections to Ballast from Upper Section. Make all necessary electrical connections to building power (see Detail D and Wiring Schematic).
8. Swing Ballast Cover to its close position and secure by tightening (2) slotted screws located on side of Ballast Tray.



Performance Designed Lighting Products

1085 Johnson Dr., Buffalo Grove, Illinois 60089

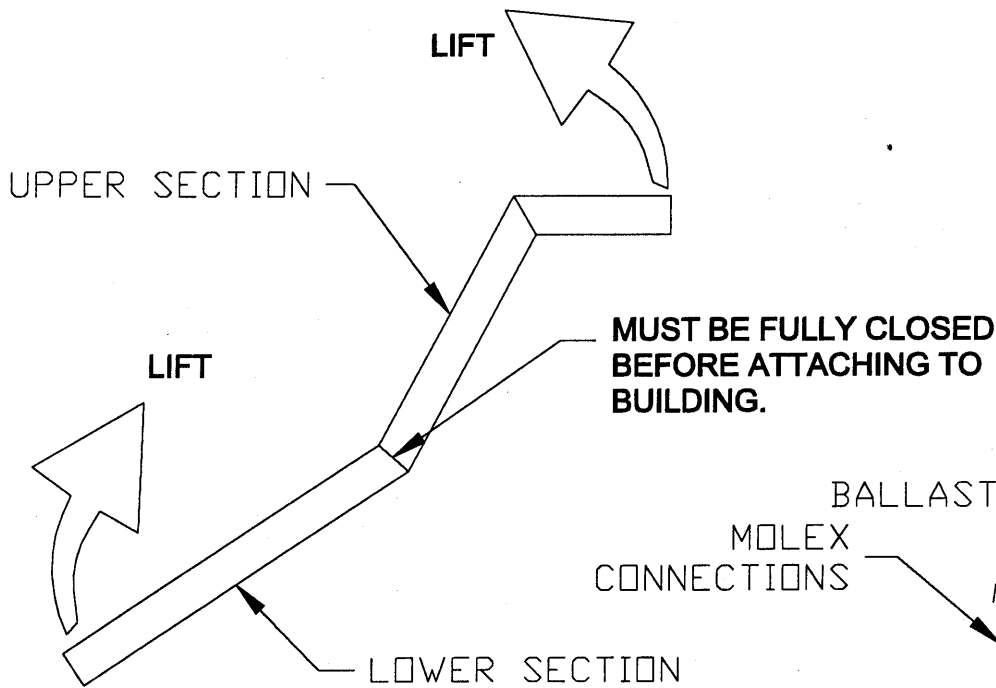
phone: 1800-544-4848

fax: (847) 279-0642

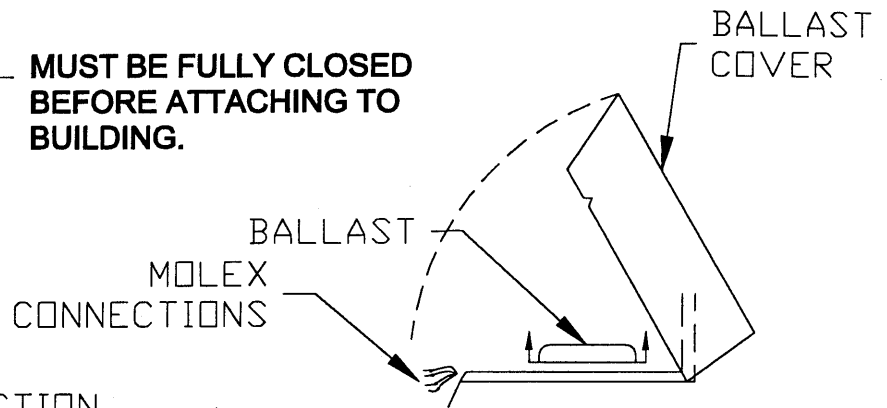
MORE ILLUSTRATIONS ON NEXT PAGE

TRANSLUCENT ROOFBEAM INSTALLATION

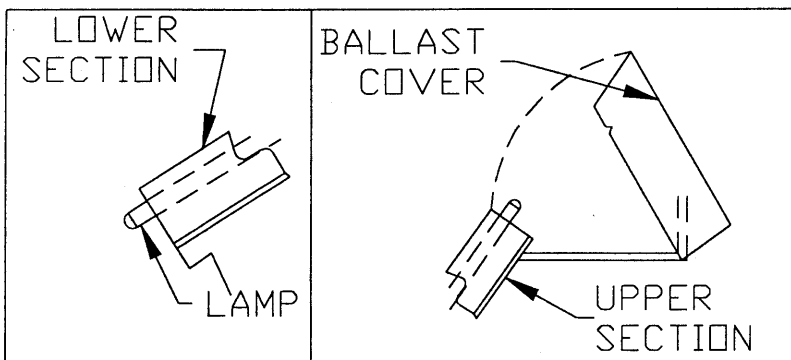
CONTINUED



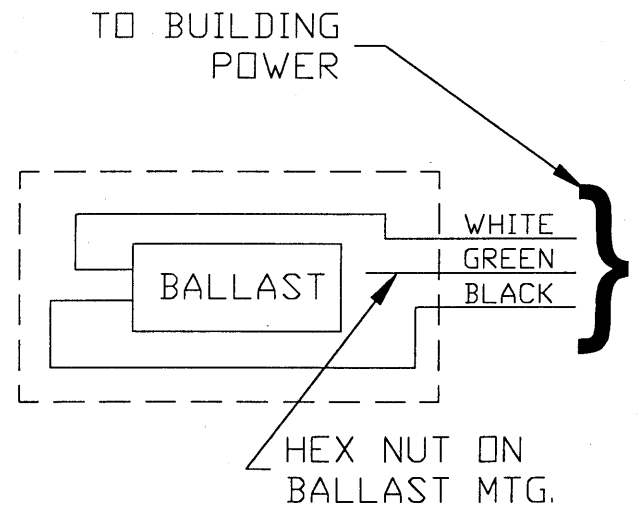
DETAIL C



DETAIL D



RELAMPING ILLUSTRATION



WIRING SCHEMATIC



Performance Designed Lighting Products

1085 Johnson Dr., Buffalo Grove, Illinois 60089

phone: 1800-544-4848

fax: (847) 279-0642