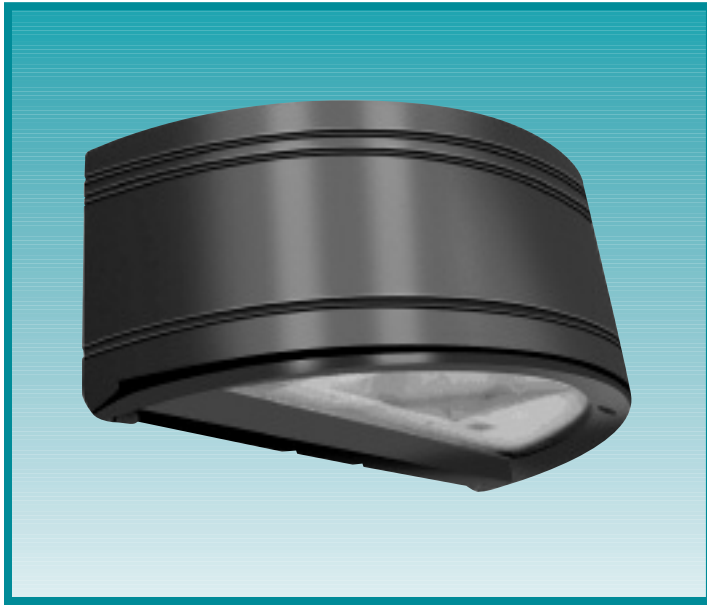


RADIUS WALL SCONCE



The RWSC Series radius wall sconce offers maximum versatility with multiple light sources and finishes. The available combination of uplight/downlight washes the building facade while the radial soft form housing will complement similar architectural design elements.

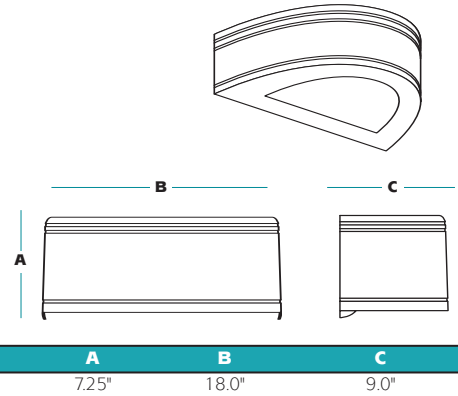


Fixture Specifications

FEATURES

- Durable cast aluminum housing
- Available in various lighting distributions for maximum versatility
- Integrated design eliminates high angle brightness
- Luminaire finished in weatherproof powder-coat paint
- Completely sealed, flat tempered glass lenses suitable for use in wet location
- Ships complete with lamp

DIMENSIONS



ORDERING INFORMATION

SAMPLE CATALOG NUMBER

RWSC **XXXXXX** **XX** **XX** **XXX**
 Series Wattage/Source Distribution Finish Voltage

SERIES

RWSC Radius Wall Sconce

WATTAGE/SOURCE¹

70PMH 70 watt pulse start metal halide
100PMH 100 watt pulse start metal halide
150PMH 150 watt pulse start metal halide
70HPS 70 watt high pressure sodium
100HPS 100 watt high pressure sodium
150HPS 150 watt high pressure sodium
26QF 26 watt quad tube fluorescent
32TRF 32 watt triple tube fluorescent
42QF 42 watt quad tube fluorescent
30LED 30 watt LED³

DISTRIBUTION

UD Up/Downlight
WD Downlight only (wide distribution)- standard
FT Downlight only (forward throw)

FINISH²

DB Dark Bronze
BK Black
WH White
PS Platinum Silver

¹ Consult factory for other lamp wattage and sources.
² Other finishes available. Consult factory.
³ Available with WD distribution only.
⁴ Not for use with LED source.

VOLTAGE

120 120 volt
277 277 volt
MT Multi-Tap

OPTIONS

OSL Quartz re-strike with lamp
F Single fusing
FF Double fusing
EM12⁴ 1 MR11/MR16 two pin socket for 12v power (by others) 35w max. 35w MR11 lamp included.
2EM12⁴ 2 MR11/MR16 two pin sockets for 12v power (by others) 35w max. 35w MR11 lamp included.

ACCESSORIES

EM Remote emergency ballast (fluorescent only)



A HUBBELL LIGHTING, INC. COMPANY

Performance Designed Lighting Products

www.securitylighting.com

1085 Johnson Drive • Buffalo Grove, IL 60089 • TOLL-FREE: 800-544-4848 • PHONE: 847-279-0627 • FAX: 847-279-0642