

LIGHTVAULT LED



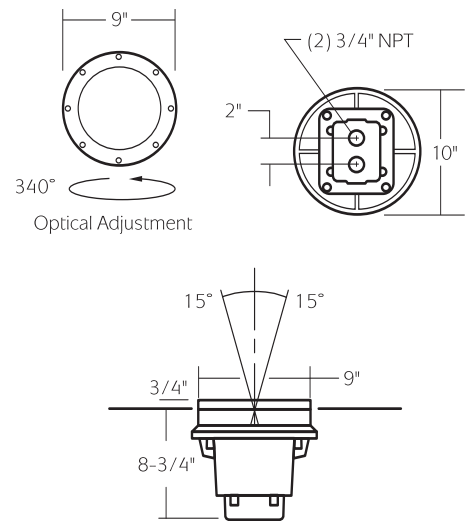
Fixture Specifications

FEATURES

- Cast bronze lens ring with natural finish or brushed stainless steel. Eight captive 5/16" blackened stainless steel hex-socket cap screws.
- Tempered clear lens, 3/16" thick, flush with lens ring, slightly crowned.
- One-piece molded silicone U-channel lens gasket wraps completely around lens flange
- High temperature compression molded fiberglass impregnated composite housing, 3/16" min. wall composite. Charcol gray. No top lip to trap dirt and moisture. Molded-in solid brass knurled inserts to receive socket base screws. Separate driver and splice compartments, individual cast aluminum internal covers, with silicone gaskets. Two 3/4" NPT in bottom, 24 cu. in. splice area. Body and driver modules epoxy bonded.

- Optical system: 18 LED emitters configured in a circular array, mounted on yoke providing $\pm 15^\circ$ vertical adjustment and 340° horizontal rotation, locking screws. Available in "Cool White" (approx. 5000+K).
- 2 electronic drivers, rated 12 watt and 6 watt. Available in 120v input. 0°F starting temperature. All drivers are UL listed.
- Anti-siphon barrier for wiring to and from splice compartment. All components wire linked for ground, quick-disconnect for removal of optical system.

DIMENSIONS



ORDERING INFORMATION

SAMPLE CATALOG NUMBER

LTV71 **XX** **18LEDXXX** **XX** **XXXX**
 Series Distribution Wattage/Source Lens Ring Finish Options

FIXTURE SERIES	
LTV71	LED Light Vault

DISTRIBUTION	
SP	Spot
NF	Narrow Flood

WATTAGE/SOURCE	
18LED120	18 watt LED, 120 volt
18LED277	18 watt LED, 277 volt

LENS RING FINISH	
NB	Natural Bronze
SS	Brushed Stainless Steel

OPTIONS	
HS50	Half shield lens ring die-cast brass only
RG50	Rock guard lens ring cast bronze only
TR50	Trim ring with flush mounting in concrete; brass
HL50	Hex cell louvers

- UL / cUL 1598 listed
- IP68 rated
- 25C ambient



A HUBBELL LIGHTING, INC. COMPANY

Performance Designed Lighting Products

www.securitylighting.com

1085 Johnson Drive • Buffalo Grove, IL 60089 • TOLL-FREE: 800-544-4848 • PHONE: 847-279-0627 • FAX: 847-279-0642