

INSTALLATION INSTRUCTIONS FOR SUPERBAY I BALLAST HOUSING SECTION

Please read thoroughly before installing.

A complete fixture consists of a ballast housing section and a reflector assembly.

WARNINGS

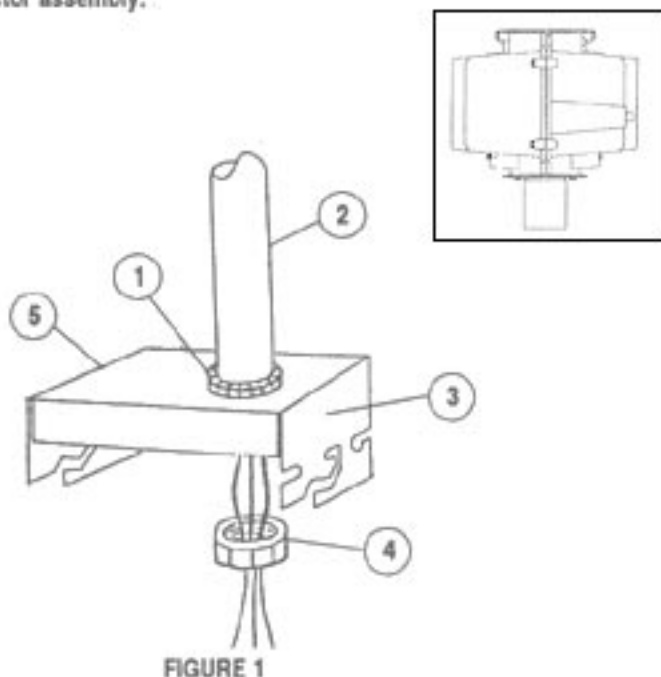
- Install, operate, and maintain to meet all applicable codes.
- Selected ballast voltage must match supply voltage.
- Protect all unused lead ends with approved insulators.
- Handle and secure so fixture cannot fall.
- Disconnect supply power before installation and servicing.
- Safety chain or cable recommended in areas where fixture could be struck.

GENERAL INFORMATION

- Minimum projection of supply leads should be 6 in. (153 mm).
- Conduit entries are sized or tapped, 3/4-14 NPS.
- Make sure supply wire temperature rating meets what is required on the ballast housing label.

QUICK-ON (QO) PENDANT MOUNTING - FIG. 1

1. Thread 3/4" locknut (1) into 3/4" rigidly mounted vertical conduit (2).
2. Place QO hanger (3) up onto conduit with formed sides down.
3. Thread 3/4" steel bushing (4) fully onto conduit under the QO hanger to support and retain it in place.
4. Align edges (5) of QO hanger with the room walls.
5. Secure QO hanger by jamming locknut down on QO hanger top.
6. Pull supply wires and ground.

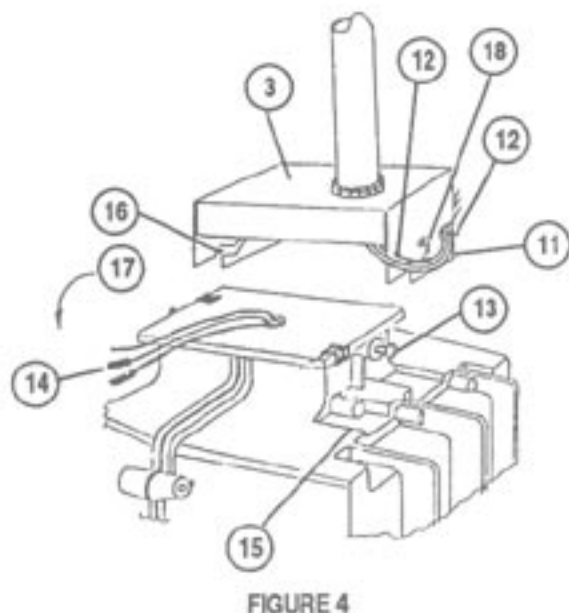


OPTIONAL PROCEDURE

Attach the reflector to the ballast housing prior to mounting it to the hanger. Use individual reflector attachment instruction sheets.

BALLAST HOUSING MOUNTING TO INSTALLED QUICK-ON HANGER - FIG. 4

1. Gather supply wires (11) and place them into the right side slots (12) as shown.
2. Loosen both screws (13) in top of ballast housing, about four turns.
3. Lay ballast housing wires (14) over the left front side as shown. Heavy half (15) of ballast housing is on the right.
4. Guide ballast housing support screws (13) up into the main slot openings (16) on QO hanger with the heavy half of ballast housing placed underneath the offset conduit attachment point.
5. Slide ballast housing down along the main slot until both screws rest in the lower detents.
6. Pivot ballast housing (17) to enlarge the opening into the QO hanger and make wiring connections.
7. Push wires and connectors back into QO hanger.
8. Slide ballast housing upward along the main slot and back (horizontal) until the support screws rest in the upper detents (18) of the main slot.
9. Tighten both supporting screws (13) to secure ballast housing in place.



COMPLETE FIXTURE MOUNTING

Attach reflector to bottom of ballast housing to complete fixture assembly. Use individual reflector attachment instruction sheet(s).



PERFORMANCE DESIGNED LIGHTING PRODUCTS
1085 JOHNSON DRIVE, BUFFALO GROVE, ILLINOIS 60089
847-279-0627 1-800-544-4848 FAX 847-279-0642