

DESIGNER SERIES



FEATURES

- Die cast and extruded aluminum housing rotates 180° from horizontal to vertical straight down to horizontal, 180° in plan
- Connector has solid copper contact bars, fixed for one or two circuit connection without modification
- Porcelain socket wired with 200°C wire in black or white silicone insulator sleeve
- Finished in stainless steel or baked enamel satin in black or white
- Fixture is supplied without accessories, a complete fixture is made by combining the HTD116 or HTD216 track head with one of the accessories listed
- Electronic 75 watt vertical mounted integral transformer, dimmable on standard line voltage dimmers



Fixture Specifications

ORDERING INFORMATION

Catalog Number	Description
AKTSGWH	Low Voltage Designer One - MR-16 - white
AKTSGBL	Low Voltage Designer One - MR-16 - black
AKTSGZ	Low Voltage Designer One - MR-16 - stainless steel
AKTSUWH	Low Voltage Designer Two - MR-16 - white
AKTSUBL	Low Voltage Designer Two - MR-16 - black
AKTSUZ	Low Voltage Designer Two - MR-16 - stainless steel

ACCESSORIES

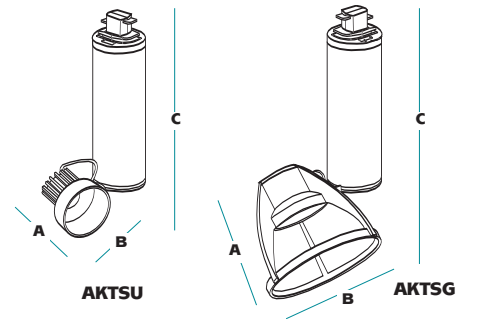
(must be ordered separately)

Catalog Number	Description
SBD¹	Barn Doors - fits Designer by itself; spun steel, hinged, fully adjustable; satin baked enamel; supplied w/ two mounting screws
SMS¹	Spun Metal Shade - fits alone or in combination w/ smooth or step glass shades; satin baked enamel; supplied w/ two mounting screws
SPS¹	Screen Shade - fits Designer by itself; satin baked enamel; supplied w/ two mounting screws
SSF²	Step Glass Etched Shade - fits alone or in combination w/ spun metal shade; supplied w/ interior mounting collar & two screws
SFC²	Smooth Glass Etched Shade - fits alone or in combination w/ spun metal shade; supplied w/ interior mounting collar & two screws

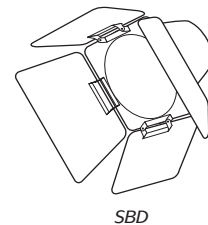
1 Specify color by adding suffix to accessory: **WH** = white, **BL** = black, **Z** = stainless steel

2 Specify color by adding suffix to accessory: **CED** = clear etched, **PED** = pink etched, **BED** = blue etched

DIMENSIONS



	A	B	C
AKTSU	2.0"	1.5"	5.5 - 6.5"
AKTSG	3.0"	3.5"	5.75 - 6.5"



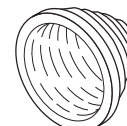
SBD



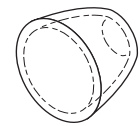
SMS



SPS



SSF



SFC



A HUBBELL LIGHTING, INC. COMPANY

Performance Designed Lighting Products

www.securitylighting.com

1085 Johnson Drive • Buffalo Grove, IL 60089 • TOLL-FREE: 800-544-4848 • PHONE: 847-279-0627 • FAX: 847-279-0642