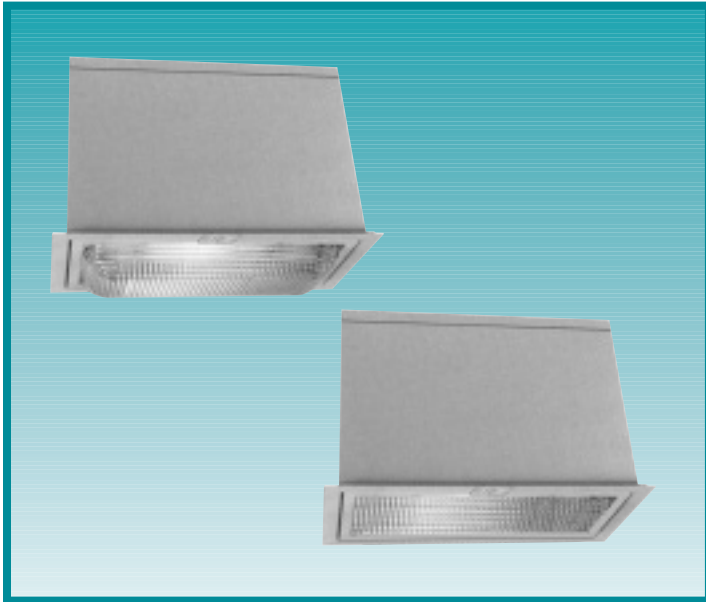


CIVIC



Rectangular recessed luminaire for canopies, walkways and loading docks.

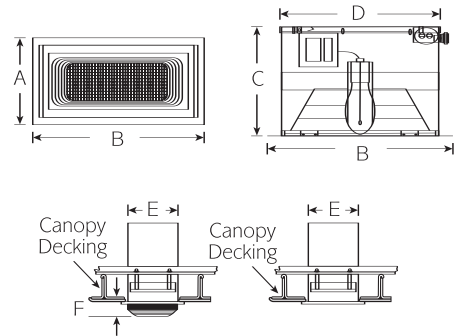


Fixture Specifications

FEATURES

- Rectangular, formed and welded aluminum housing.
- Formed aluminum door gasketed to housing. Hinged door secured with captive screws. Optional quick-release latch for ground serviceability with vertical lamp luminaire. Drop prismatic glass, flat C-73 patterned glass or flat clear lens with vertical lamp and asymmetric reflector.
- Semi-specular, anodized aluminum reflector provides symmetric light pattern. Vertical lamp with flat, clear lens has asymmetric pattern.
- Mogul porcelain socket, pulse rated with spring-loaded, nickel-plated center contact and reinforced lamp grip screw shell.
- CWA type ballast, HPF, starting rated at -20°F.
- TGIC thermoset polyester powder paint finish with choice of two standard colors. Consult factory for other colors.
- UL and CSA listed for wet locations.

DIMENSIONS



DIMENSIONS

A	B	C	D	E	F	WT./LBS.
11.06"	20.8"	13.75"	19"	9.06"	1.5"	33

ORDERING INFORMATION

SAMPLE CATALOG NUMBER

CC Series **CM** Mounting **XXX** Lamp/Watt **XX/XX** Lamp Orient./Dist. **XXX** Lens **X** Voltage **XX** Color **L** Lamp **XX** Options

SERIES

CC = Civic

MOUNTING

CM = Ceiling Mount (Recessed)

LAMP TYPE/WATTAGE¹

P25 250 watt pulse start metal halide
P32 320 watt pulse start metal halide
P35 350 watt pulse start metal halide
P40 400 watt pulse start metal halide

LAMP ORIENT./DISTRIBUTION

HL/SY Horizontal Lamp/Symmetric
VL/SY Vertical Lamp/Symmetric
VL/AS Vertical Lamp/Asymmetric

LENS

DG Drop Glass
FGP Flat Glass Prismatic
FGC Flat Glass Clear (VL/AS only)

VOLTAGE

Q Quad-Tap
5 480V
T Tri-Tap

COLOR

Standard:
WH White
DB Dark Bronze
 Custom Color:
 Consult Factory

LAMP

L Lamp included (standard)

OPTIONS

QR Quick Release Latch (VR only)
 Fuse
F1 120V
F2 208V
F3 240V
F4 277V
F5 480V
F6 347V

¹ Consult factory for additional wattages and sources



A HUBBELL LIGHTING, INC. COMPANY

Performance Designed Lighting Products

www.securitylighting.com

1085 Johnson Drive • Buffalo Grove, IL 60089 • TOLL-FREE: 800-544-4848 • PHONE: 847-279-0627 • FAX: 847-279-0642