

ASB SERIES

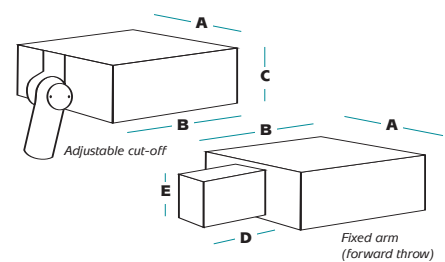


A fully adjustable and directional lighting system designed for maximum flexibility and the challenges of today's lighting needs. Adjustable mounting allows for up to 45° tilt above horizontal to optimize performance. Fixed arm mounting provides true cutoff in the same value-priced luminaire.



Fixture Specifications

- Formed aluminum housing
- Access to lamp and ballast compartments through hinged door assembly
- One-piece tempered glass lens
- Optical system fabricated of polished aluminum; provides optimum efficiency for long and wide light distributions
- Luminaire finished in weatherproof powder-coat finish
- Type C includes adjustable tenon adapter
- Includes integral/adjustable light cut-off shield
- Consult factory for external glare shield options
- Includes lamp and arm (Type F)
- Available with photocell
- Suitable for wall mounting
- UL listed for wet locations



	A	B	C	D	E	EPA ³
400	17.0"	17.0"	9.5"	10.0"	5.0"	1.44
1000	22.0"	22.0"	10.5"	10.0"	5.0"	2.54

ORDERING INFORMATION

SAMPLE CATALOG NUMBER

ASB **X** **XXXXXXXX** **XX** **XX**
 Series Type Wattage/Source Finish Voltage

SERIES

ASB Adjustable Shoe Box

TYPE

C Adjustable cut-off

F Fixed arm (forward throw)

WATTAGE/SOURCE¹

175PMH 175 watt pulse start metal halide

250PMH 250 watt pulse start metal halide

320PMH 320 watt pulse start metal halide

1000MH 1000 watt metal halide

250HPS 250 watt high pressure sodium

400HPS 400 watt high pressure sodium

1000HPS 1000 watt high pressure sodium

FINISH²

DB Dark bronze

WH White

BK Black

PS Platinum Silver

VOLTAGE

MT Multi-Tap ballast (120, 208, 240, 277V)

48 480 volt

ACCESSORIES

PC Field-installed photocell (specify voltage)

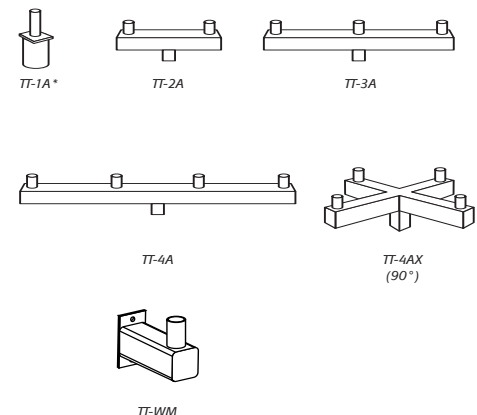
GS Universal glare shield

¹ Consult factory for other wattages and Pulse Start availability.

² Consult factory for other finishes.

³ EPA based on 30° tilt. For other EPA values, consult factory.

MOUNTING BRACKET ORDERING INFORMATION



* TT-1A not required with tenon top pole. Use only for retrofit (specify 4" or 5" pole).



A HUBBELL LIGHTING, INC. COMPANY

Performance Designed Lighting Products

1085 Johnson Drive • Buffalo Grove, IL 60089 • TOLL-FREE: 800-544-4848 • PHONE: 847-279-0627 • FAX: 847-279-0642

www.securitylighting.com