

UCL LED

Recessed Petroleum Canopy Luminaire

With an ultra thin profile, the UCL LED luminaire is capable of delivering over 11,000 lumens while consuming less than 145 watts. Efficacies up to 85 lumens per watt are available in several scalable lumen packages. Standard IESNA and application specific light patterns are available to optimize light levels and maximize energy savings.



UCL LED

Recessed Petroleum Canopy Luminaire

Fuel Retailers Want:

- *High Color Rendering*
- *No Color Shift*
- *Excellent Uniformity*
- *Low Energy/Maintenance Costs*
- *Universal Installation for New or Retrofit Projects*

Extremely Thin, Remarkably Powerful

Retail Lighting Fashions Constantly Evolve, Fuel Retail is No Different

- Energy efficient, dark sky compliant, cost-effective lighting solutions that never go out of style.
- Replace 400-watt metal halide or 320-watt pulse start with 145 watt LED.
- How? We put the light where you need it!

Applications:

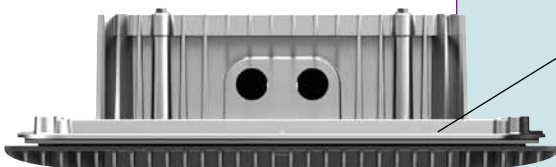
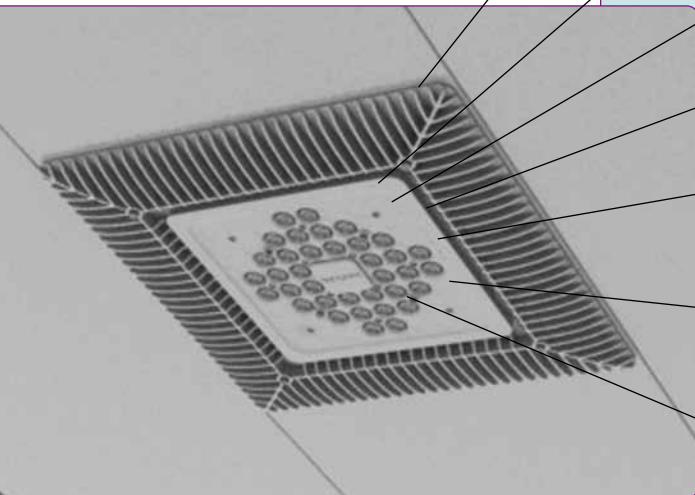
- New Construction or Retrofit Applications
- Convenience Store Fuel Centers
- Big Box Retail Fuel Centers
- Truck Stops
- Any Retail Petroleum Canopy

Don't Risk It:

- UCL LED provides peace of mind with our exclusive comprehensive warranty for a full four years!
- LM-79 and LM-80 tests available.
- Guaranteed delivery through assured supply.

UCL LED Features and Benefits

- Made from low-copper marine-grade aluminum, the UCL LED luminaire has been designed with best-in-class materials to meet the demands of the unique design conditions seen in petroleum canopies and outdoor industrial environments.
- The UCL LED optical assembly has been designed to exceed IP65 design standards allowing for hose-down cleaning.
- Replaceable LED module enables future upgrades and service for the LED light engine.
- The fully recessed optical assembly minimizes glare and promotes enhanced visibility.
- Application-specific optics maximize energy efficiency by focusing illumination on key areas and preventing wasted light.
- The unique all-inclusive housing design provides an integral wiring and driver compartment for ease of installation in new or retrofit construction.
- The UCL LED optical platform provides a full range of light intensity through the available 24, 36 and 60-LED modules.
- ThermalFrame technology provides state-of-the-art passive cooling in the most demanding environments. Compatible with single and double-skin canopies.
- Consult factory for more details

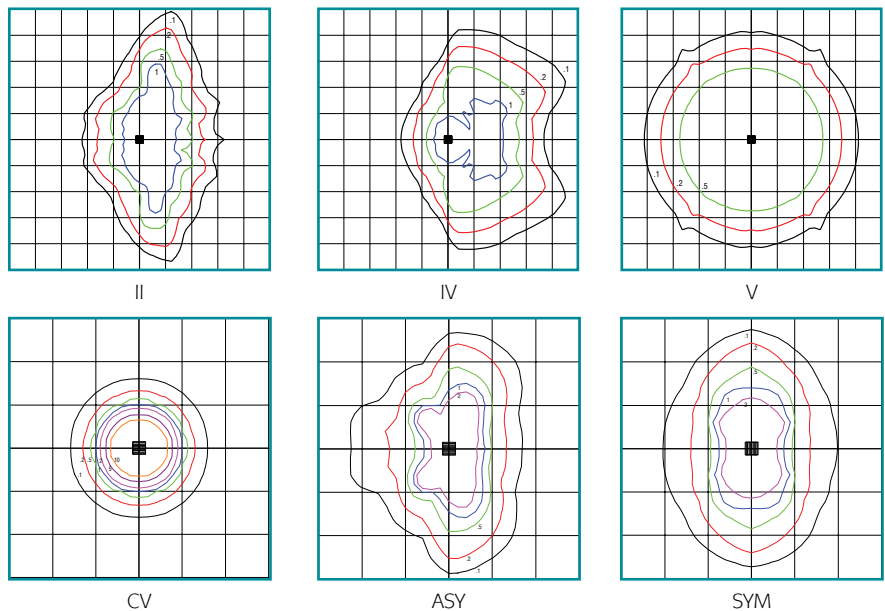


Ordering and Technical Information

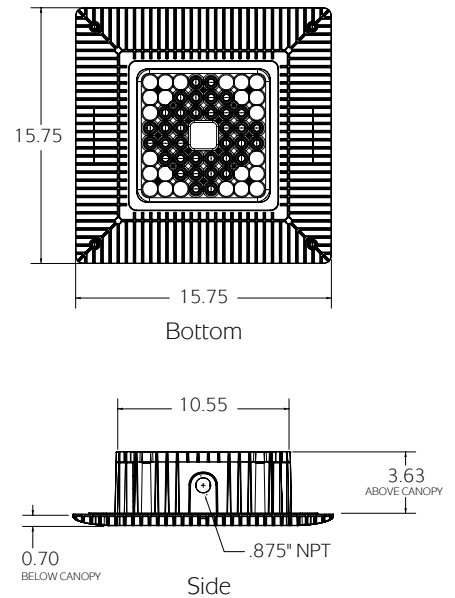
Sample Catalog Number

UCL LED	XX	G	XXX	XXX	XXX	5K	XX
Series	LED Quantity	LED Type	LED Driver	Voltage	Optics	Color Temp.	Color
SERIES							
UCL LED	UCL LED						
LED QUANTITY							
24	24 LEDs						
36	36 LEDs						
60	60 LEDs						
LED TYPE							
G	High-Output CREE XP-G						
LED DRIVER							
700	700mA						
VOLTAGE							
UNV	Universal 120-277 V						
347	347 V						
480	480 V						
OPTICS (SPECIALTY & IESNA)							
CV	Concentrated Type V (Standard)						
ASY	Concentrated Asymmetric						
SYM	Concentrated Symmetric						
II	IESNA Type II						
IV	IESNA Type IV						
V	IESNA Type V						
COLOR TEMPERATURE							
5K	5000K, 75 CRI						
COLOR							
WH	White						
OTHER	(Consult Factory)						

Photometric Data



Dimensions



Performance Data

Engine	Delivered Lumens	# of LEDs	LED Type (CCT)	Current	System Wattage	Type
24-G-700	4,723	24	XP-G (5000K)	700mA	60	CV
36-G-700	7,084	36	XP-G (5000K)	700mA	90	CV
60-G-700	11,807	60	XP-G (5000K)	700mA	145	CV
24-G-700	3,823	24	XP-G (5000K)	700mA	60	II
36-G-700	5,735	36	XP-G (5000K)	700mA	90	II
60-G-700	9,558	60	XP-G (5000K)	700mA	145	II
24-G-700	4,084	24	XP-G (5000K)	700mA	60	IV
36-G-700	6,127	36	XP-G (5000K)	700mA	90	IV
60-G-700	10,211	60	XP-G (5000K)	700mA	145	IV
24-G-700	4,163	24	XP-G (5000K)	700mA	60	V
36-G-700	6,573	36	XP-G (5000K)	700mA	90	V
60-G-700	11,108	60	XP-G (5000K)	700mA	145	V

Consult factory for additional options

Complete LED Lighting Package Available

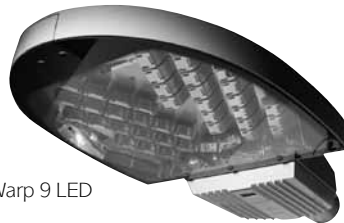
The canopy is only where our LED capabilities begin. Please ask us about our other LED fixtures to include site, building, interior lighting and more!



HIRAF LED



LED Flood



Warp 9 LED



LED Track Lighting



Cimarron LED



Laredo LED



LED Down Lighting



LED Pendants

For additional information, contact Security Lighting at 800-LIGHT IT!



SECURITY LIGHTING

1085 JOHNSON DRIVE, BUFFALO GROVE, IL 60089 • TEL: 800-544-4848 • FAX: 847-279-0642

Visit www.securitylighting.com for our complete product offering.