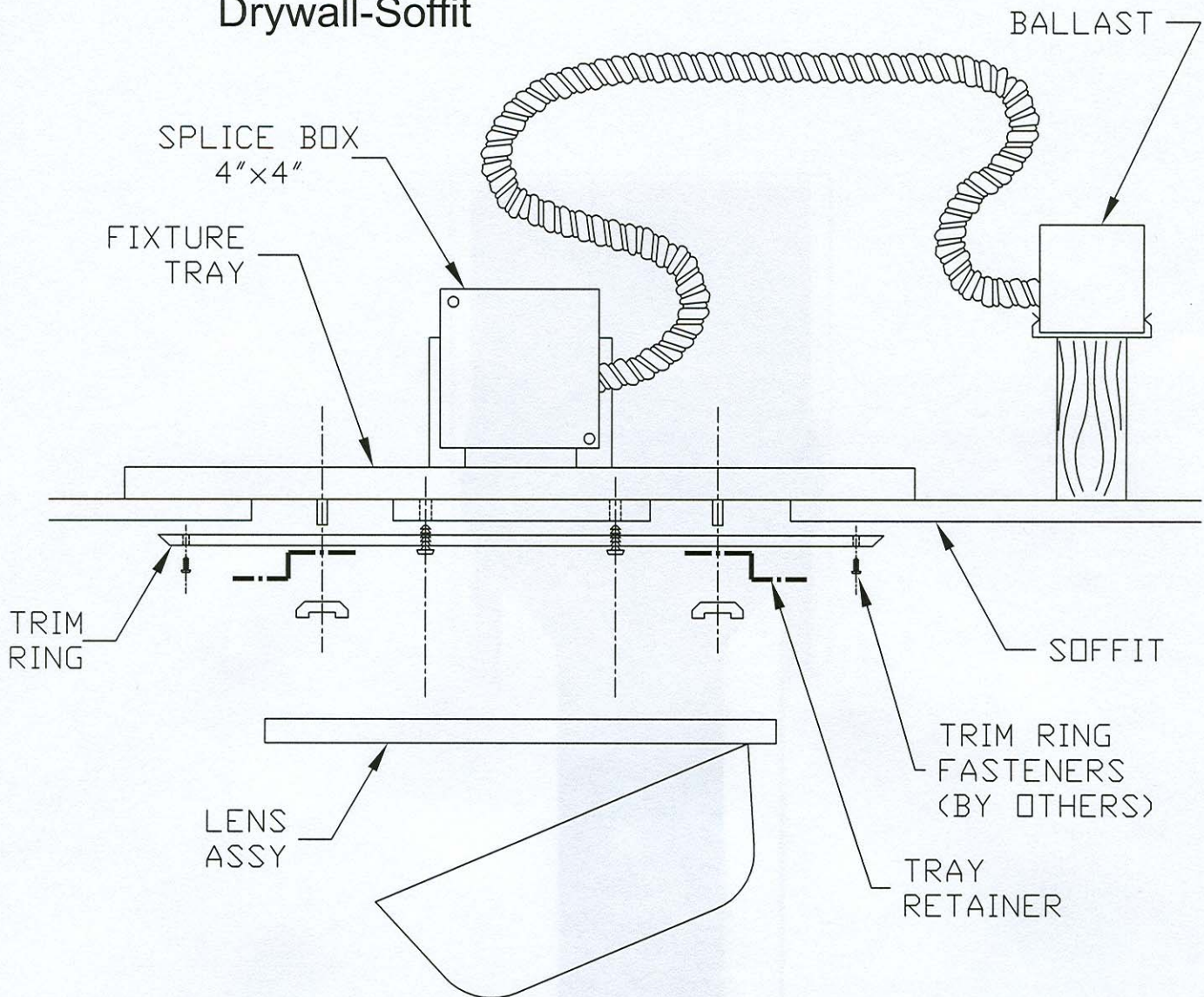
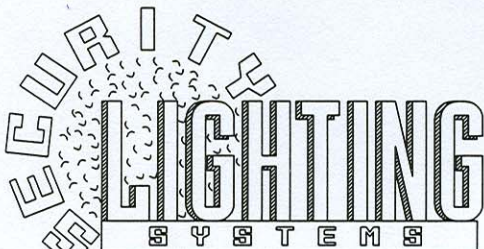


UCL-853 Series-Plywood/ Drywall-Soffit



Mounting Instructions

1. Cut a hole in soffit at location desired (12" square).
2. Mount Ballast Assembly on nearest joist.
3. Slip fixture tray thru hole and make necessary electrical connections.
4. Slide Tray Retainers onto studs, center tray in opening, and tighten using wing nuts provided.
5. Attach trim ring to soffit using fasteners provided by contractor.
6. Attach Lens Assembly to Fixture Tray using (2) hex head screws provided.
7. Insert lamp into socket and tighten securely.
8. Close Lens Assembly.



Rev. 01/2004

A division of Hubbell Lighting Inc.

phone: 1800-544-4848

1085 Johnson Dr., Buffalo Grove, Illinois 60089

fax: (847) 279-0642

Performance Designed Lighting Products