

**INSTALLATION INSTRUCTIONS**  
**UNIVERSAL FIXTURE NO. 851**  
**RETROFIT WORK – PLYWOOD & DRYWALL CEILINGS ONLY**

1. For best efficiency, install fixture with front tip of lamp facing building.
2. Cut 13" square using protective shipping cardboard insert as template. (universal mounting, no joists or Framing required. Will mount anywhere in ceiling.)
3. Place ballast with universal slip-fit mounting brackets on nearest ceiling joist, wood or iron. Ballast should be mounted 12" from fixture. (See fig. 1.)
4. Remove fixture top by removing (1) ¼ turn fastener and pull out by holding onto reflector.
5. Raise fixture through opening and flush flange with ceiling.
6. Install (4) "L" angles containing screws, working from inside of fixture. Insert long side of "L" angle through crossed slots. Allow "L" angle to drop and use tab to push down. While holding with thumb, sandwich ceiling material and tighten screw. **KEEP FIXTURE FLUSH WITH FINISHED CEILING.** (See fig. 2)
7. Working from inside of fixture, install blank-out panels (if provided) by inserting the tab into the long Horizontal slots near the top of the fixture. Secure using cutting screws through holes.
8. Drop flex-conduit through top of fixture. Make all connections to 1900 box. Push flex and 1900 box Back into ceiling. Slip 1900 box bracket into slot on side of fixture housing. (See fig. 3)
9. Replace fixture top and attach using ¼ turn fasteners provided.
10. **BEFORE LAMPING, REMOVE PROTECTIVE PLASTIC FROM REFLECTOR TO AVOID FIRE HAZARD!**
11. Install lamp and tighten securely. **DO NOT OVERTIGHTEN!**
12. Insert (2) #10 machine screws provided in hardware package into mounting holes on door frame. Slip Fiber captive washers onto screws so screws will be retained for future maintenance.
13. Insert door frame hinges thru slots on inner flange of fixture and engage onto pins inside fixture. Close Door frame onto fixture and tighten screws securely. **DO NOT OVERTIGHTEN!**

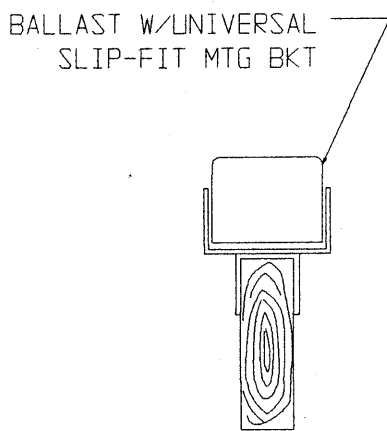


FIG. 1

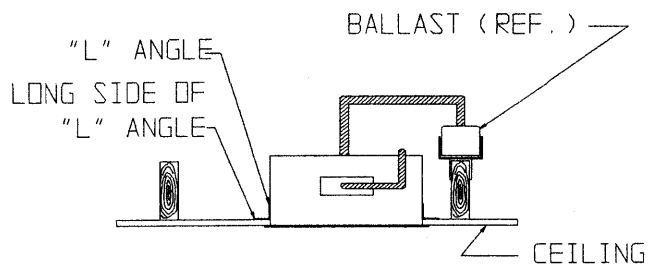


FIG. 2

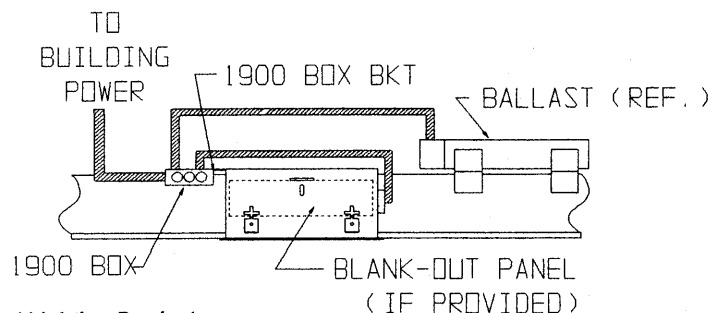


FIG. 3



Performance Designed Lighting Products

1085 Johnson Drive  
 Buffalo Grove, Illinois 60089  
 800/544-4848